



96 x 96mm



48 x 96mm

FEATURES

- True RMS Measurement
- For 1 Phase 2 Wire Electrical Network

Display Specifications

Display	: Single Row, 7 segment LED Display
Digits	: 4 digits
Digit Height	: 0.56" (14.2mm)
Display Range	: 0-516V

Input Specifications

Electrical Connection	: 1Phase-2Wire
Input Type	: AC
Input Voltage Range	: 50V -480V AC
Continuous Max. Input Rating	: 550V AC
Frequency	: 50 / 60Hz
Resolution	: 0.1V
Accuracy	: $\pm 1.0\%$ OF F.S
Input Impedance	: 1MegaOhms ($\pm 5\%$)
Sampling Rate	: 3 samples / second
Dielectric withstand Voltage	: 2kV AC between auxiliary supply & measuring input.
Rated Impulse withstand Voltage	: 3.5kV (1.2/50 μ S)

Auxiliary Supply Specifications

Auxiliary Supply	: 230V AC $\pm 10\%$, (50 / 60Hz) OR 110V AC $\pm 10\%$, (60Hz)
Power Consumption	: 5VA max

Environmental Specifications

Temperature	: Operating: -10° to $+55^{\circ}$ C (14° to 131° F) : Storage: -20° to 75° C (-4° to 167° F)
Humidity (Non-Condensing)	: Upto 95% RH

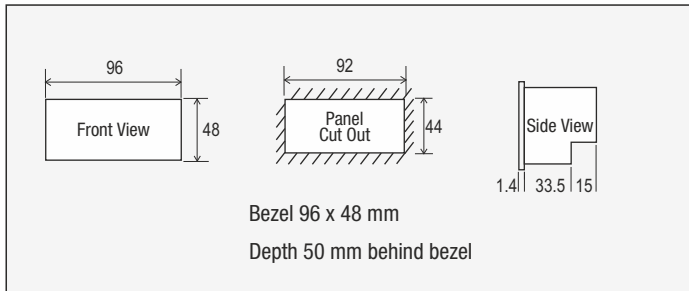
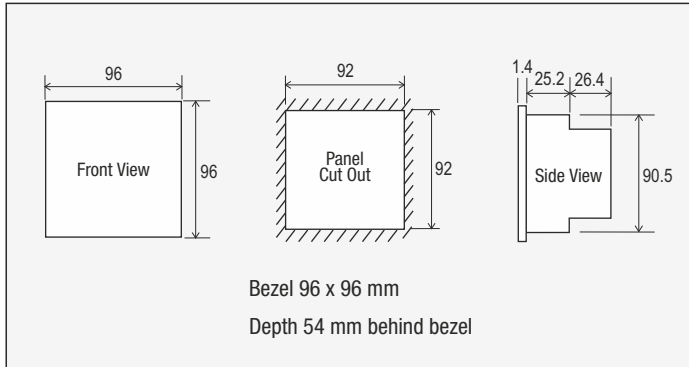
Mechanical Specifications (96X96)

Mounting	: Panel Mount
Size	: 96X96mm
Weight	: 300gms
Screw Tightening Torque	: 0.5 NM

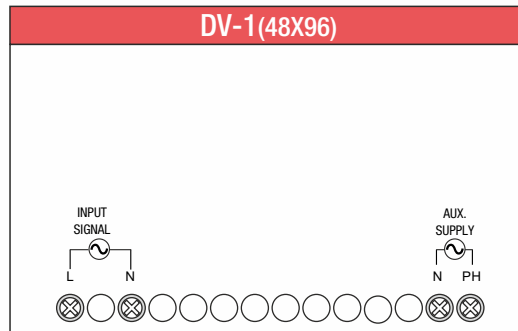
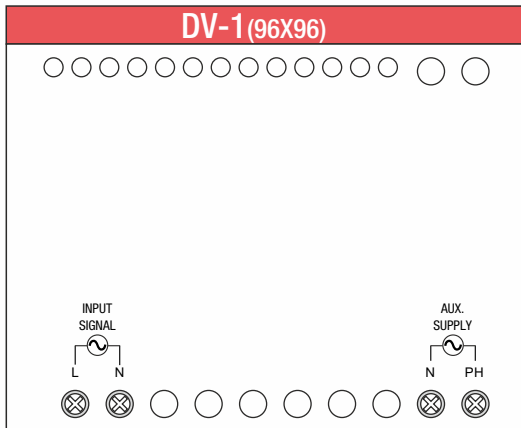
Mechanical Specifications (48X96)

Mounting	: Panel Mount
Size	: 48X96mm
Weight	: 250gms
Screw Tightening Torque	: 0.5 NM

Mechanical Specifications



Connection Diagram



Ordering Information

Product Name	Discription
DV-1 (96)	DIGITAL VOLTMETER 1PHASE 96X96
DV-1 (48)	DIGITAL VOLTMETER 1PHASE 48X96